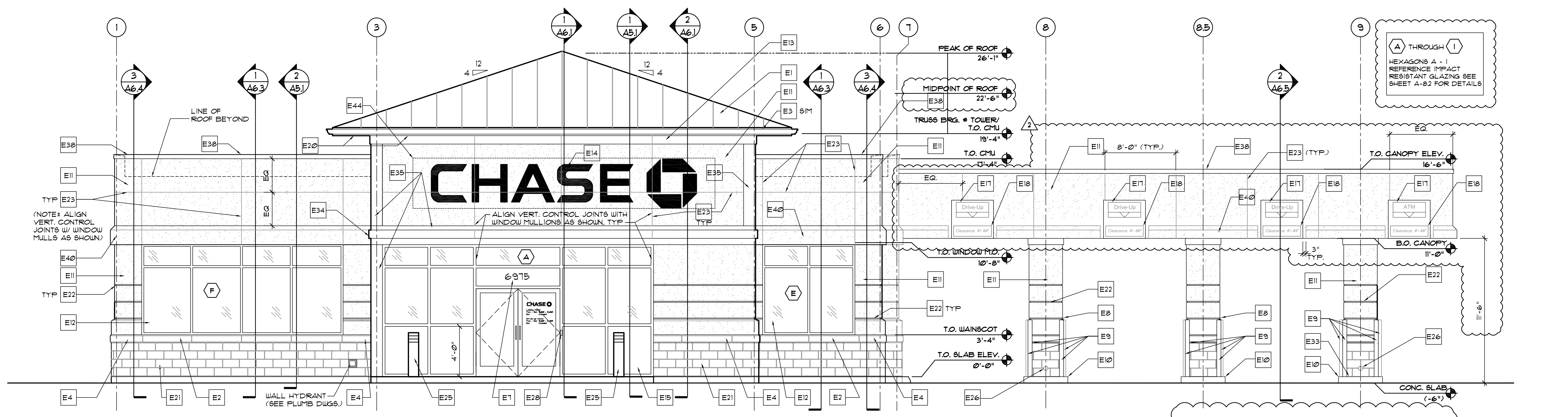


REV.	DATE & COMMENTS
2	FIRE MARSHALL COMMENT 7-16-10
1	
1	
1	
1	
1	
1	

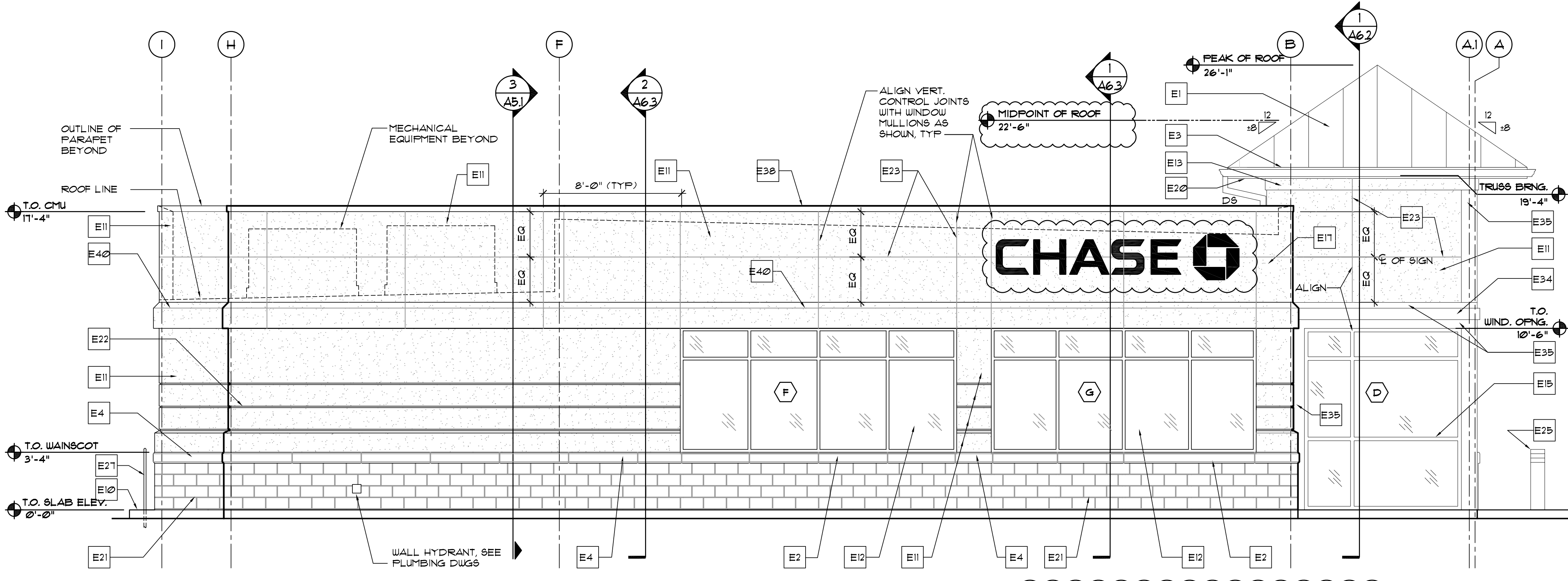
JOB NUMBER:	09314
DATE:	4-9-10
DRAWN BY:	JW
SCALE:	AS NOTED
DRAWING:	EXTERIOR

BUILDING ELEVATIONS  
 SHEET NUMBER  
**A4.1**

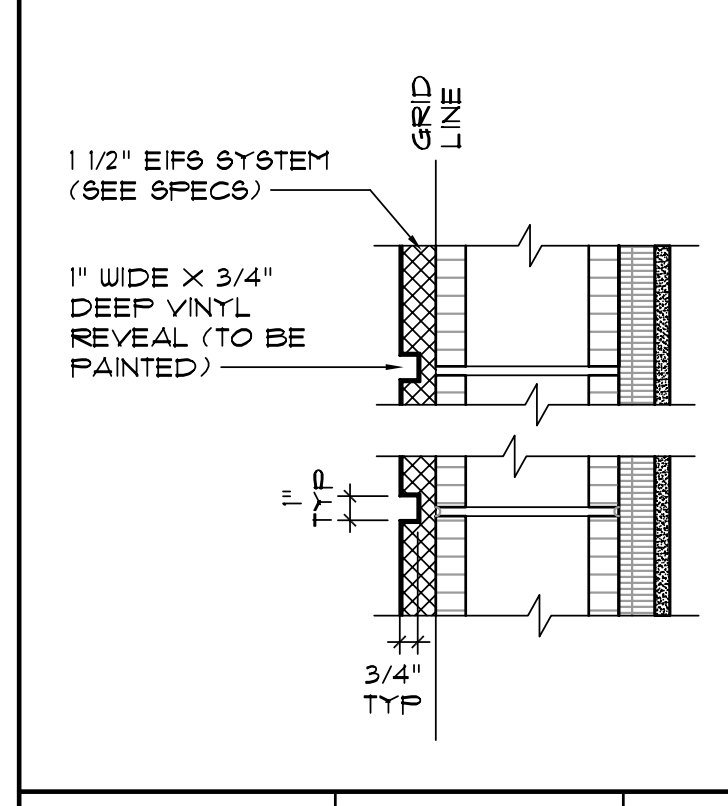
Architect of Record:  
 Gregg A. Holdsworth, AIA, LEED AP  
 FL Lic. # - AR017669



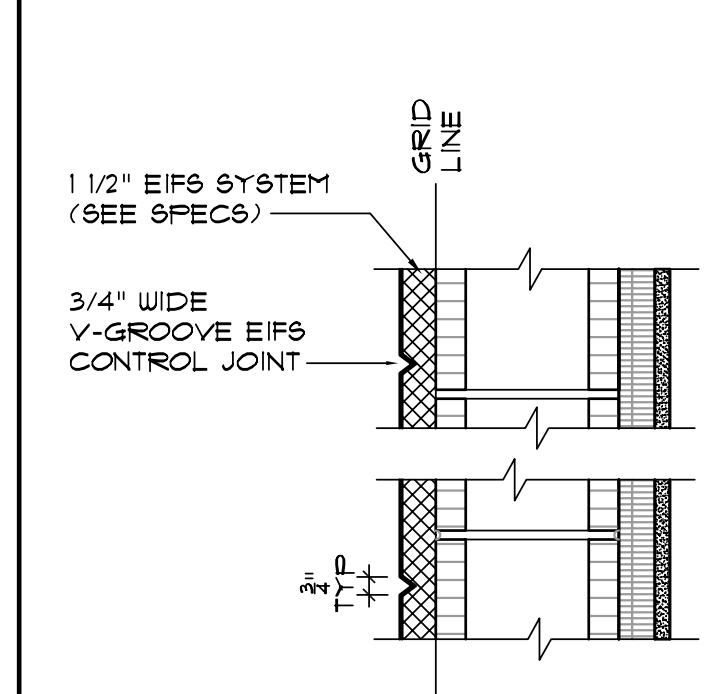
**SOUTH BUILDING ELEVATION** SCALE 1/4" = 1'-0" 1



**WEST BUILDING ELEVATION** SCALE 1/4" = 1'-0" 2



**REVEAL** SCALE 1 1/2" = 1'-0" 4



**REVEAL** SCALE 1 1/2" = 1'-0" 3

- PAINTS**
- EPT-1 EXTERIOR PAINT: EXTERIOR ALUMINUM / GALVANIZED METAL SURFACES. MANUFACTURER: SHERWIN WILLIAMS. PRODUCT: METALATEX ACRYLIC SEMI-GLOSS. PRODUCT NO.: B42 SERIES. COLOR: SW 1045 "INTELLECTUAL GRAY". FINISH: SEMI-GLOSS.
  - EPT-2 EXTERIOR PAINT: EXTERIOR ALUMINUM / GALVANIZED METAL SURFACES (CORRESPONDS W/EIFS-2). MANUFACTURER: SHERWIN WILLIAMS. PRODUCT: METALATEX ACRYLIC SEMI-GLOSS. PRODUCT NO.: B42 SERIES. COLOR: SW 1036 "ACCESSIBLE BEIGE". FINISH: SEMI-GLOSS.
  - EPT-3 EXTERIOR PAINT: EXTERIOR ALUMINUM / GALVANIZED METAL SURFACES (CORRESPONDS W/EIFS-3). MANUFACTURER: SHERWIN WILLIAMS. PRODUCT: METALATEX ACRYLIC SEMI-GLOSS. PRODUCT NO.: B42 SERIES. COLOR: SW 0001 "DECOROUS AMBER". FINISH: SEMI-GLOSS.
  - EPT-4 NOT USED
  - EPT-5 NOT USED
  - EPT-6 NOT USED

- EIFS**
- EIFS-1 EXTERIOR INSULATION & FINISH SYSTEM: EXTERIOR EIFS SURFACES (REAR WALLS & SOFFIT SURFACES OF ENTRY TOWER). MANUFACTURER: STO CORP. (OR APPROVED EQUAL). PRODUCT: STO THERM PREMIER NEXT (WALLS). STO DIRECT APPLIED FINISH SYSTEM FOR SOFFITS. COLOR: TO MATCH SHERWIN WILLIAMS SW 1045 "INTELLECTUAL GRAY". FINISH: STO STOTHERM LOTUSAN SYSTEM 10 (FINE).
  - EIFS-2 EXTERIOR INSULATION & FINISH SYSTEM: EXTERIOR EIFS SURFACES (EIFS ACCENT BAND). MANUFACTURER: STO CORP. (OR APPROVED EQUAL). PRODUCT: STO THERM PREMIER NEXT. COLOR: TO MATCH SHERWIN WILLIAMS SW 1036 "ACCESSIBLE BEIGE". FINISH: STO STOTHERM LOTUSAN SYSTEM 10 (FINE).
  - EIFS-3 EXTERIOR INSULATION & FINISH SYSTEM: EXTERIOR EIFS SURFACES (EIFS PARAPET). MANUFACTURER: STO CORP. (OR APPROVED EQUAL). PRODUCT: STO THERM PREMIER NEXT. COLOR: TO MATCH SHERWIN WILLIAMS SW 0001 "DECOROUS AMBER". FINISH: STO STOTHERM LOTUSAN SYSTEM 10 (FINE).

**ELEVATION KEYNOTES**

- E1 STANDING SEAM MTL. ROOFING, MATCH BERRIDGE MANUF. CO. COLOR: 'ZINC GRAY'
- E2 CUSTOM CAST STONE WINDOW SILL, BY ROCKCAST, COLOR TO BE 'BONE' GP-B WITH SMOOTH (SM) TEXTURE
- E3 PREFINISHED METAL GUTTERS, 6" W. x 4 3/4" DEEP, 'K'-STYLE W/ 4" W. x 2 1/4" DEEP CORRUGATED RECTANGULAR DOWNSPOUTS, GUTTER, DS, & FASCIA. COLOR TO BE EPT-1.
- E4 CAST STONE WATERTABLE BY ROCKCAST #UT900. COLOR TO BE 'BONE' GP-B WITH SMOOTH (SM) TEXTURE
- E5 FLASHING TO CONNECT CANOPY TO BUILDING. SEE SHEET A6.5
- E6 HOLLOW METAL DOOR & FRAME, PAINT EPT-1.
- E7 6" TALL WITH 1/2" THICK STROKE VINYL ADDRESS NUMBER (WHITE)
- E8 BANK EQUIPMENT BY OWNER, G.C. TO PROVIDE OPENINGS AND ELECTRICAL REQUIREMENTS IN ACCORDANCE WITH FINAL APPROVED BANK EQUIPMENT SHOP DRAWINGS.
- E9 BOLLARD BY G.C. SEE DETAILS SHT. A5.1
- E10 CONCRETE CURB & ISLANDS
- E11 EIFS-3, WITH SCORE PATTERN AS INDICATED.
- E12 GLAZED ALUMINUM STOREFRONT WINDOW, SEE SHEET A-8.2
- E13 EIFS-1 (APPLY AT VERT. & HORIZ. FACE)
- E14 SIGN BY SIGN PROVIDER, ELECTRICAL POWER & FINAL CONNECTION BY G.C.
- E15 GLAZED ALUMINUM CURTAINWALL SYSTEM, SEE SHEET A-8.2

- E16 (NOT USED)
- E17 SIGN- ELEC. POWER REQ'D
- E18 SIGN- NO ELEC. POWER REQ'D
- E19 EXTERIOR LIGHT FIXTURE, SEE ELEC. DIAGS.
- E20 PAINT SOFFIT EPT-1
- E21 4" CAST STONE VENEER AS MANUFACTURED BY ROCKCAST, COLOR TO BONE GP-B WITH SLATE (SLT) TEXTURE
- E22 1" WIDE X 3/4" DEEP REVEAL. SEE DETAIL 4 / A4.1
- E23 CONTROL JOINT- 3/4" WIDE 'V' GROOVE. SEE DETAIL 3 / A4.1
- E24 FLUSH KNOX BOX - VERIFY LOCATION
- E25 LIGHT BOLLARD. SEE ELEC. SHEETS
- E26 CANOPY ROOF OVERFLOW DOWNSPOUT NOZZLE. SEE CANOPY DETAILS
- E27 1 1/2" DIA. PRE-FIN. ALUM. RAIL (MATCH EPT-1), CORE DRILL & EPOXY GROUT INTO CONC. MIN. 8" DEPTH & MIN. 2" CONC. COVERAGE
- E28 CARD READER & OVERRIDE SWITCH - REFER TO SECURITY DRAWINGS FOR ADD'L INFO.
- E29 RELIEF SCUPPER (PRE-FINISHED OR PAINTED TO MATCH EPT-3)
- E30 UPPER FASCIA PANEL ANODIC CLEAR FINISH (SUBMIT SAMPLES FOR APPROVAL)
- E31 LOWER FASCIA PANEL REYNOLDBOND KONIG BLUE FINISH (SUBMIT SAMPLES FOR APPROVAL)

- E32 STEEL TUBE COLUMN TO BE PAINTED (EPT-6) BY GENERAL CONTRACTOR
- E33 PROVIDE WEATHER TIGHT SHEET ALUM BOX OVER CONDUIT STUB OPENING IN ISLAND.
- E34 OMEGA-LITE ALUM. PANELS "REGAL BLUE" AS MANUF. BY LAMINATORS, INC. ROUT AND RETURN INSTALLATION SYSTEM. CONTACT S4S CORPORATION OF ILLINOIS, PHONE# 630-521-0910.
- E35 OMEGA-LITE ALUM. PANELS "BRIGHT SILVER" AS MANUF. BY LAMINATORS, INC. ROUT AND RETURN INSTALLATION SYSTEM. CONTACT S4S CORPORATION OF ILLINOIS, PHONE# 630-521-0910.
- E36 (NOT USED)
- E37 OFF-RIDGE ROOF VENTS W/ INSECT SCREEN. SEE SPECIFICATIONS

- E38 MTL COPING, PRE-FINISHED TO MATCH ADJACENT EIFS
- E40 EIFS ACCENT BAND, EIFS-2
- E41 (NOT USED)
- E42 (NOT USED)
- E43 (NOT USED)
- E44 PROVIDE 5/8" THICK EXPOSURE 1 PLYWOOD SHEATHING IN LIEU OF DENSGLASS FOR SIGN MOUNTING. NOTE: PLYWOOD ONLY APPLIES TO STEEL CONSTRUCTION.
- E45 ROOF OVERFLOW DRAIN, DOWNSPOUT, SEE PLUMBING DRAWINGS

**EXTERIOR ELEVATION SPECIFIC NOTES** SCALE (NOT TO SCALE) 5

**FINISH LGND** SCALE (NOT TO SCALE) 6